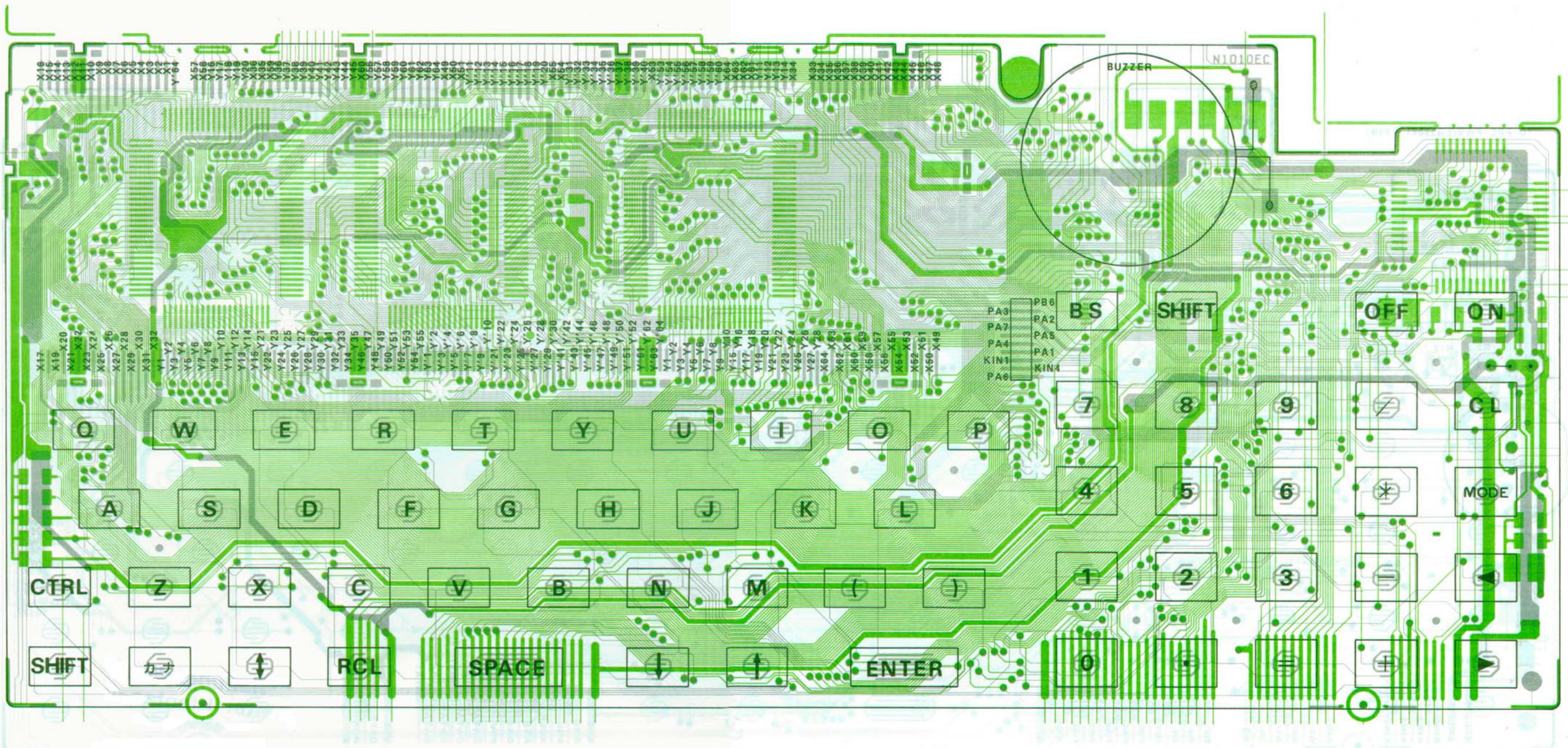


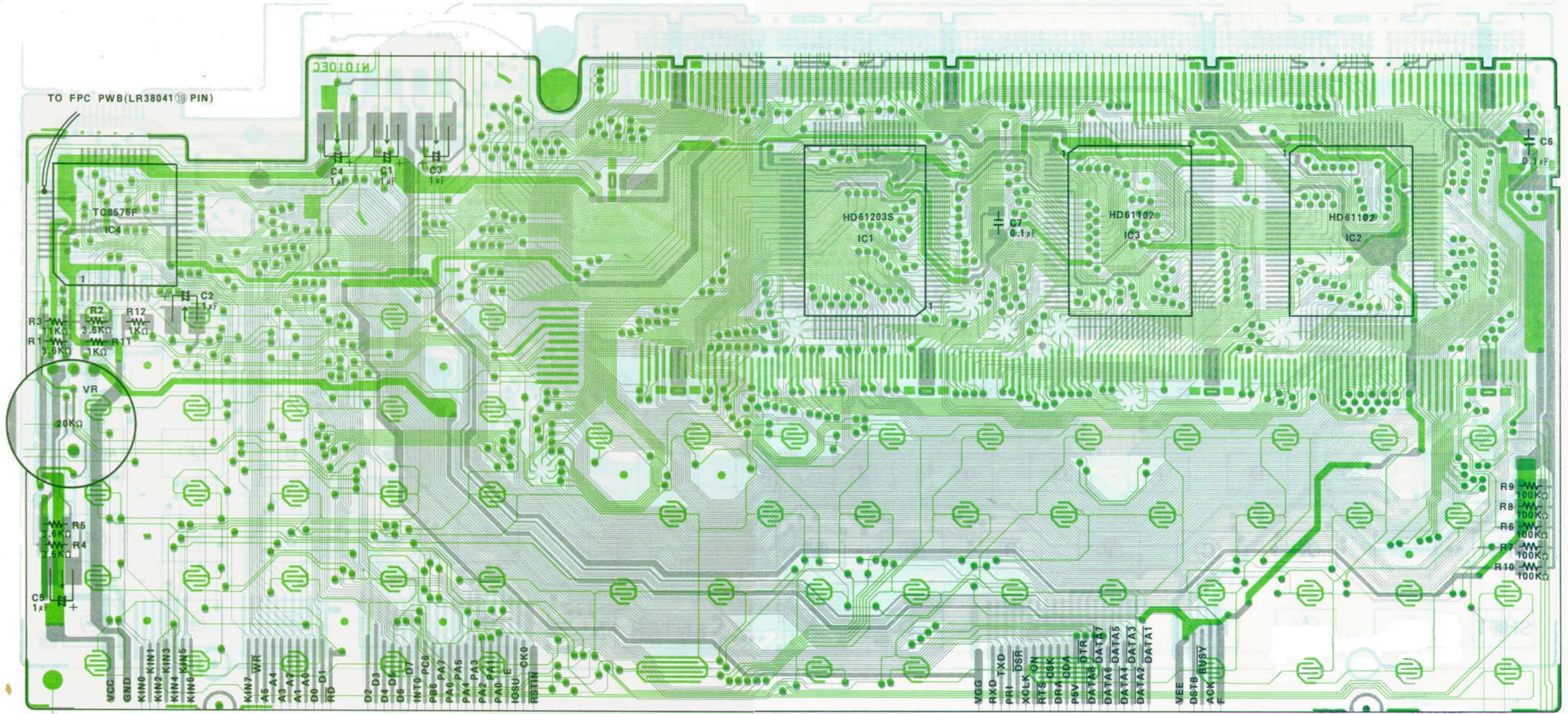
11. CIRCUIT DIAGRAM · PARTS POSITION

KEY P.W.B. (L.S.I SIDE)

KEY P.W.B. (LCD SIDE)

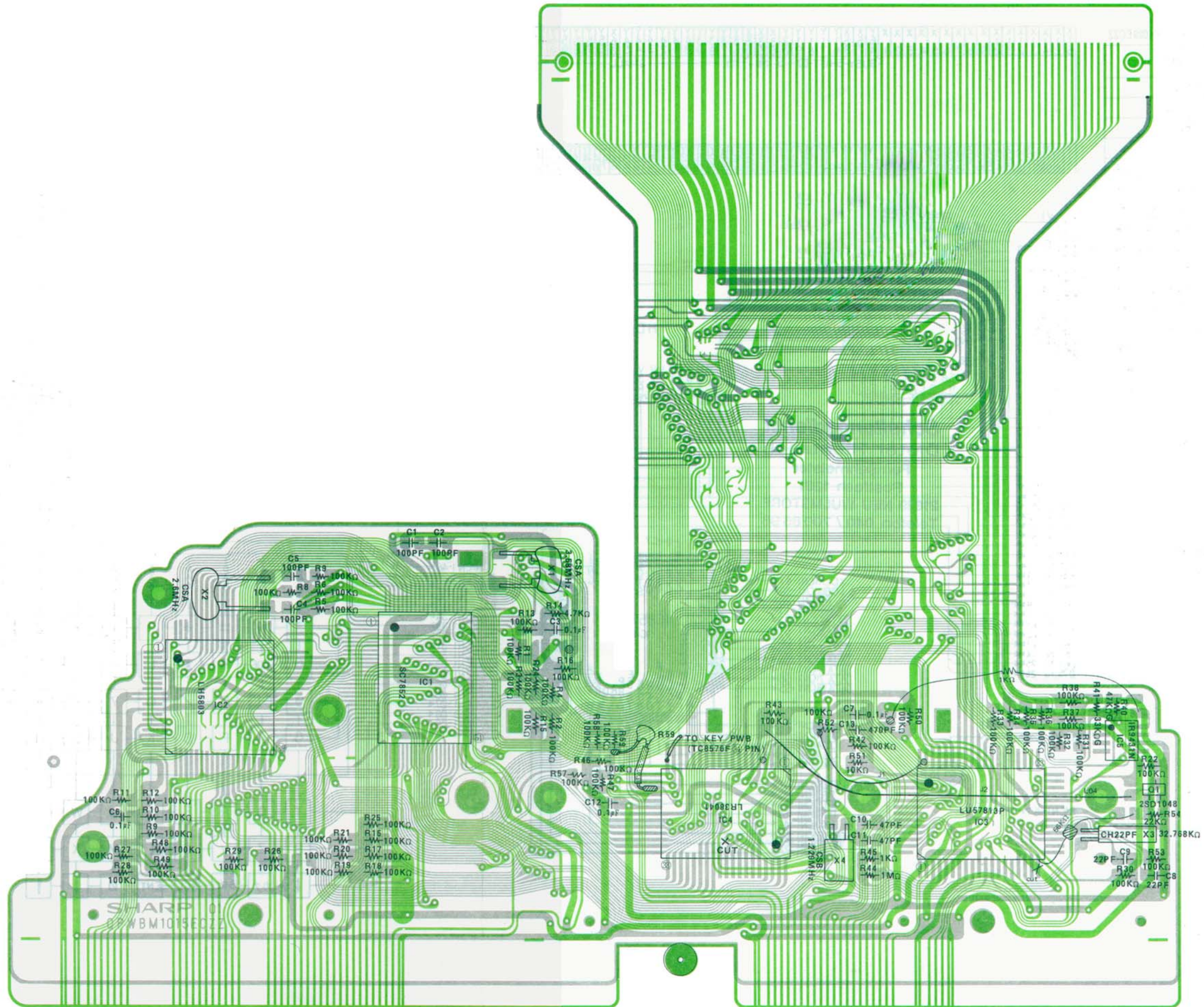


KEY P.W.B. (LSI SIDE)



11. CIRCUIT DIAGRAM - PARTS POSITION

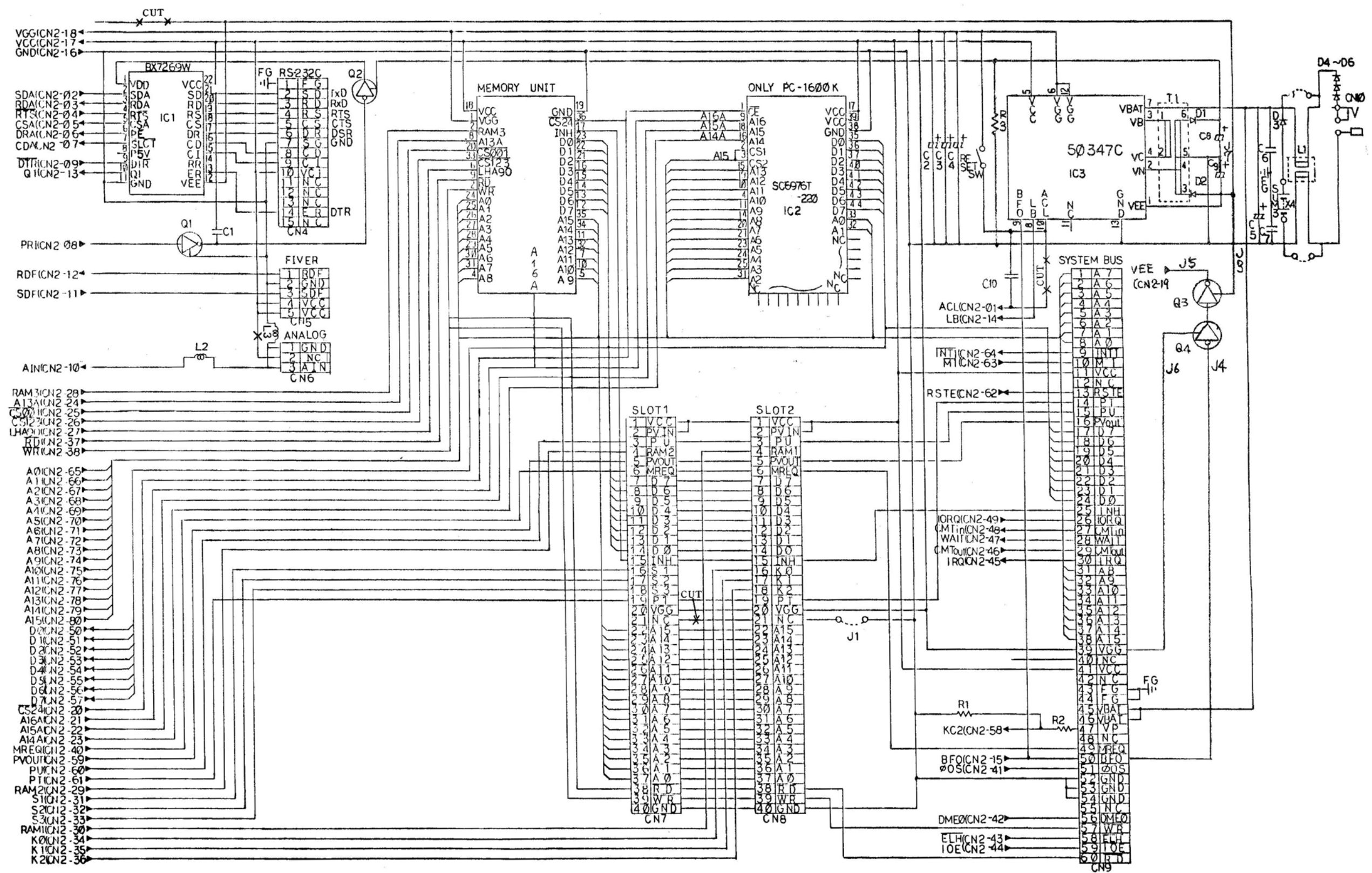
KEY P.W.B. (LCD SIDE)



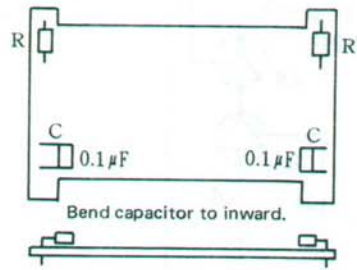
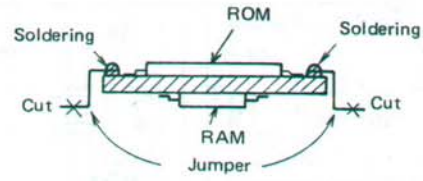
CONNECTOR CIRCUIT DIAGRAM

Unit code: DUNTK1030ECZZ

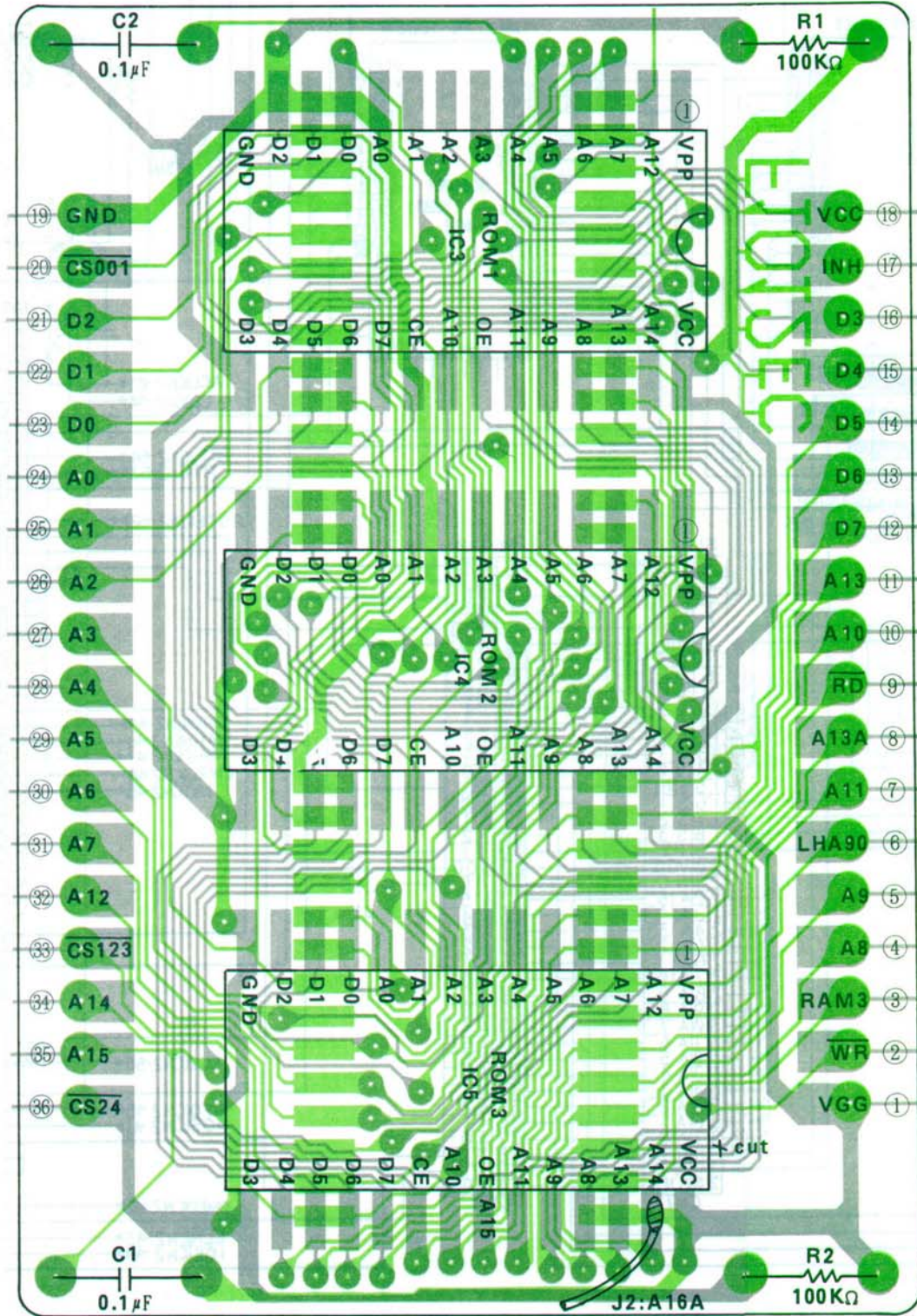
Parts No	Parts name
IC1	Hybrid IC2
IC2	Not used
IC3	Hybrid IC1
Q1	Digital transistor
Q2	Digital transistor
R1	1/2 ± 2% 15K Ω
R2	1/2 ± 2% 33K Ω
C1	Ceramic 470P
C2	6.3V 47 μ
C3	6.3V 22 μ
C4	6.3V 22 μ
C5	10V 47 μ
C6	10V 0.1 μ
C7	10V 0.1 μ
C8	10V 22 μ
C9	10V 22 μ
T1	Converter transformer
L1	Noise filter
D1	L1
D2	L1
D3	11DQ03
D4	10E1N
D5	10E1N
D6	10E1N
SW	Reset SW
CN4	RS-232C
CN5	FIVER
CN6	ANALOG
CN7	SLOT1
CN8	SLOT2
CN9	SYSTEM BUS
CN10	ADAPTOR
R3	1/2 ± 5% 22K Ω
C10	0.01 μ F
Q3	Digital transistor
Q4	Digital transistor
L2	Filter coil
L3	Filter coil



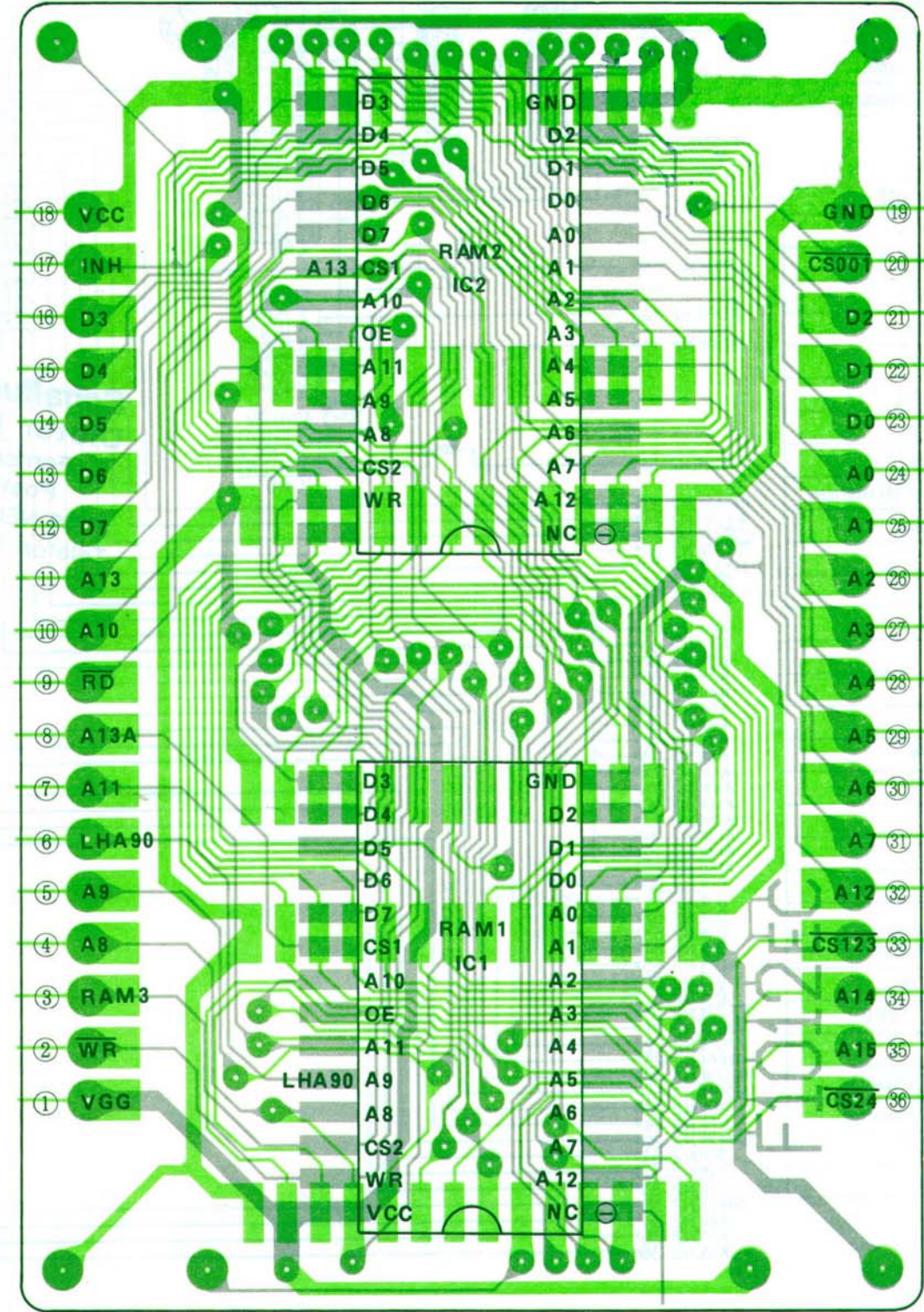
MEMORY P.W.B.



ROM SIDE

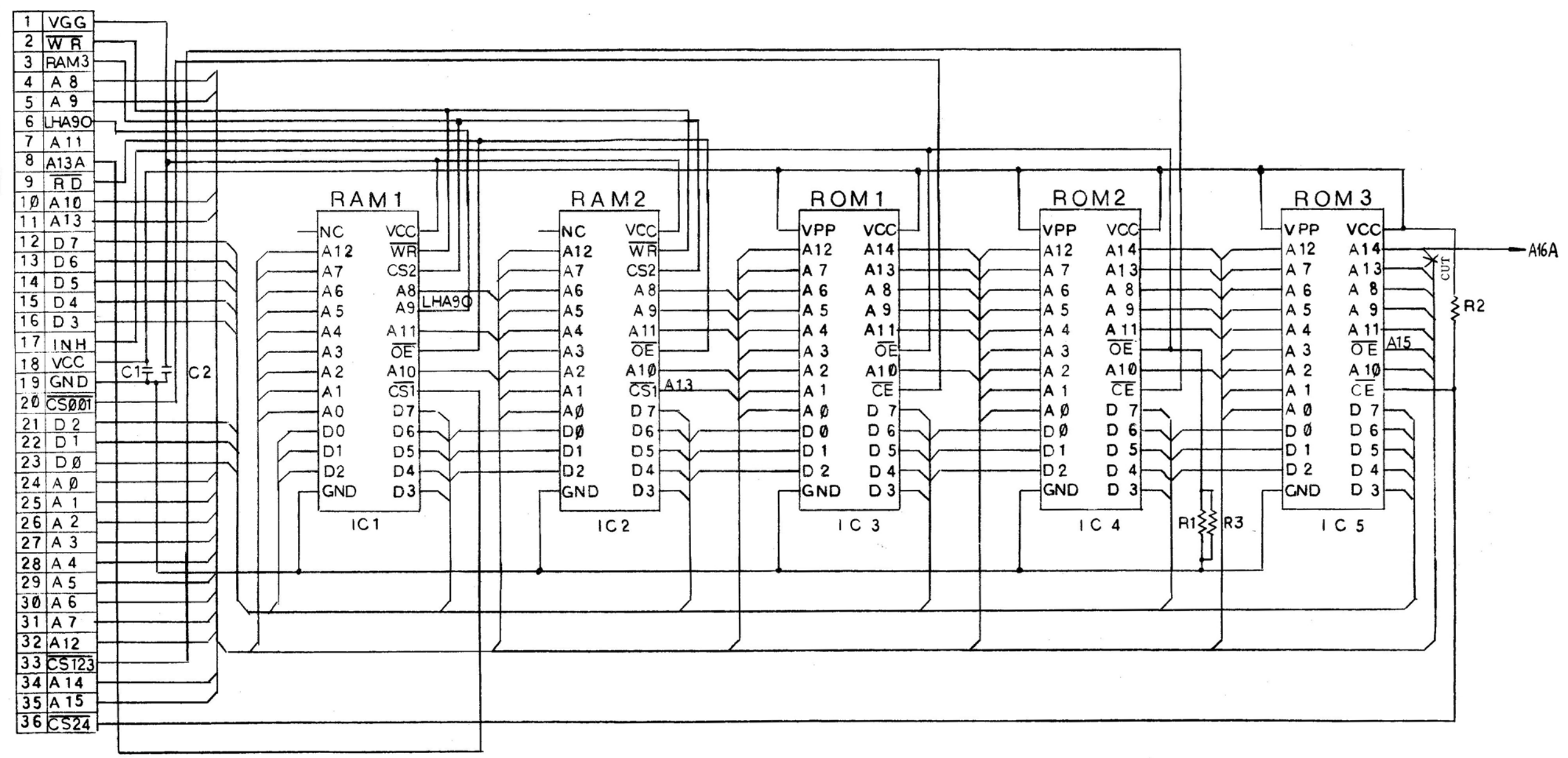


RAM SIDE



MEMORY CIRCUIT DIAGRAM

Parts No	Parts name
IC1	64K SRAM
IC2	64K SRAM
IC3	256K ROM1
IC4	256K ROM2
IC5	256K ROM3
R1	100K $\Omega \pm 5\% \frac{1}{4}W$
R2	100K $\Omega \pm 5\% \frac{1}{4}W$
C1	0.1 μ
C2	0.1 μ
R3	10K $\Omega \pm 5\% \frac{1}{4}W$



12. PARTS LIST & GUIDE

1 Exteriors

NO.	PARTS CODE	PRICE RANK	NEW MARK	PART RANK	DESCRIPTION
1	PFI1W1004ECZZ	AC	N	C	Acryl filter
2	PTPEH1014CCZZ	AA		C	FPC fixing tape
3	PSLDP1003ECZZ	AC	N	C	Display mask
4	PFI1LV1005ECZZ	AE	N	C	Polarized filter
5	DUNT-1031ECZZ	AR	N	E	Soft key unit
6	PGUMS1004ECZZ	AA	N	B	Rubber connector
7	DUNT-1063ECZZ	AY	N	E	LCD unit
8	PGUMS1550CCZZ	AC		C	PWB-LCD connector
9	MSPRC1003ECZZ	AC	N	C	Static spring A
10	LANGT1001ECZZ	AD	N	C	Angle A
11	LX-BZ1147CCZZ	AA		C	Screw
12	DUNTG1037ECZZ	AS	N	D	Top cabinet unit (This includes No.44)
13	PGUMM1003ECZZ	AK	N	B	Spring rubber
14	DUNTK1029ECZZ	BY	N	E	Key PWB unit (This includes No.7,8,15)
15	RALMB1001ECZZ	AF	N	B	Buzzer
16	DUNTK1035ECZZ	BL	N	E	FPC PWB unit
17	LFIX-1001ECZZ	AB	N	C	FPC fixing plate
18	PSHEP1005ECZZ	AA	N	C	Protect sheet
19	LANGK1221CCZZ	AD		C	LCD fixing angle
20	PZETL1004ECZZ	AB	N	C	insulator sheet
21	LANGT1002ECZZ	AD	N	C	Angle B
22	LX-BZ1184CCZZ	AA		C	Screw
23	QCNW-1001ECZZ	AD	N	C	Jumper wire
24	DUNTK1072ECZZ	BV	N	E	Memory PWB unit
25	PCAPH1001ECZZ	AB	N	C	Protect cap
26	GCABC1008ECZZ	AB	N	D	Connector cabinet
27	PZETL1015ECZZ	AB	N	C	Insulator sheet A
28	DUNTK1071ECZA	CB	N	E	Connector PWB unit(Memory PWB + Connector PWB unit)(Germany only)
28	DUNTK1071ECZZ	CB	N	E	Connector PWB unit(Memory PWB + Connector PWB unit)(Other countries)
29	XUBSD20P05000	AA		C	Screw (2x5)
30	GWAKP1041CCZZ	AF		C	Connector frame
31	GFTAA1267CCZZ	AC		D	Connector cover
32	GFTAA1287CC04	AB		D	Connector cover
33	PSLDC1004ECZZ	AH	N	C	Shield plate
34	GCABA1001ECZA	AE	N	D	Bottom cabinet
35	LX-BZ1006ECZZ	AA	N	C	Screw
36	XBSSD20P08000	AA	N	C	Screw
37	QTANZ1186CCZZ	AA		B	Battery terminal (+)
38	QTANZ1362CCZZ	AA		B	Battery terminal (+, -)
39	QTANZ1363CCZZ	AA		B	Battery terminal (+, -)
40	QTANZ1055CCZZ	AA		B	Battery terminal (-)
41	GFTAU1268CCSA	AB	N	D	Module cover
42	GFTAB1004ECZZ	AC	N	D	Battery cover
43	PZETL1016ECZZ	AA	N	C	Insulator sheet B
44	PTPEH1013ECZZ	AA	N	C	Tape
45	PCAPH1003ECZZ	AB	N	C	Analog in Cap
46	JKNBZ1493CCZA	AE	N	C	Key top(ON key) (30PCS/1set)
47	JKNBZ1493CCZB	AE	N	C	Key top(OFF key) (30PCS/1set)
48	JKNBZ1493CCSA	AE	N	C	Key top(SHIFT key) (30PCS/1set)
49	JKNBZ1493CCSB	AE	N	C	Key top(BS key) (30PCS/1set)
50	JKNBZ1603CCSA	AE	N	C	Key top(CL key) (20PCS/1set)
51	JKNBZ1603CCSB	AE	N	C	Key top(Numeric and Arithmetic operation keys)
52	JKNBZ1732CCZA	AE	N	C	Key top(ENTER key) (10PCS/1set)
53	JKNBZ1492CCZE	AE	N	C	Key top(↑ key) (20PCS/1set)
54	JKNBZ1732CCSA	AE	N	C	Key top(SPACE key) (10PCS/1set)
55	JKNBZ1492CCZA	AE	N	C	Key top(RCL key) (20PCS/1set)
56	JKNBZ1492CCZD	AE	N	C	Key top(← key) (20PCS/1set)
57	JKNBZ1492CCZB	AE	N	C	Key top(SML key) (20PCS/1set)
58	JKNBZ1492CCSB	AE	N	C	Key top(SHIFT key) (20PCS/1set)
59	JKNBZ1492CCSA	AE	N	C	Key top(CTRL key) (20PCS/1set)
60	JKNBZ1731CCSA	AF	N	C	Key top(Alphabetic keys)
61	PZETL1012ECZZ	AA	N	C	Battery insulator sheet
62	PSHEZ1015ECZZ	AA	N	C	Sheet
63	PSLDC1013ECZZ	AB	N	C	Shield plate B
64	PZETL1018ECZZ	AB	N	C	Insulator sheet
65	PSLDC1012ECZZ	AD	N	C	Shield plate A
66	PZETL1019ECZZ	AA	N	C	Insulator sheet
67	PCUSG1002ECZZ	AA	N	C	Cushion rubber
68	PZETL1296CCZZ	AA		C	Sheet B
501	DUNT-1086ECZZ	CC	N	E	Key PWB + FPC PWB unit

2 Key PWB unit

NO.	PARTS CODE	PRICE RANK	NEW MARK	PART RANK	DESCRIPTION
1	DUNT-1063ECZZ	AY	N	E	LCD unit
2	PGUMS1550CCZZ	AC		C	PWB-LCD connector

